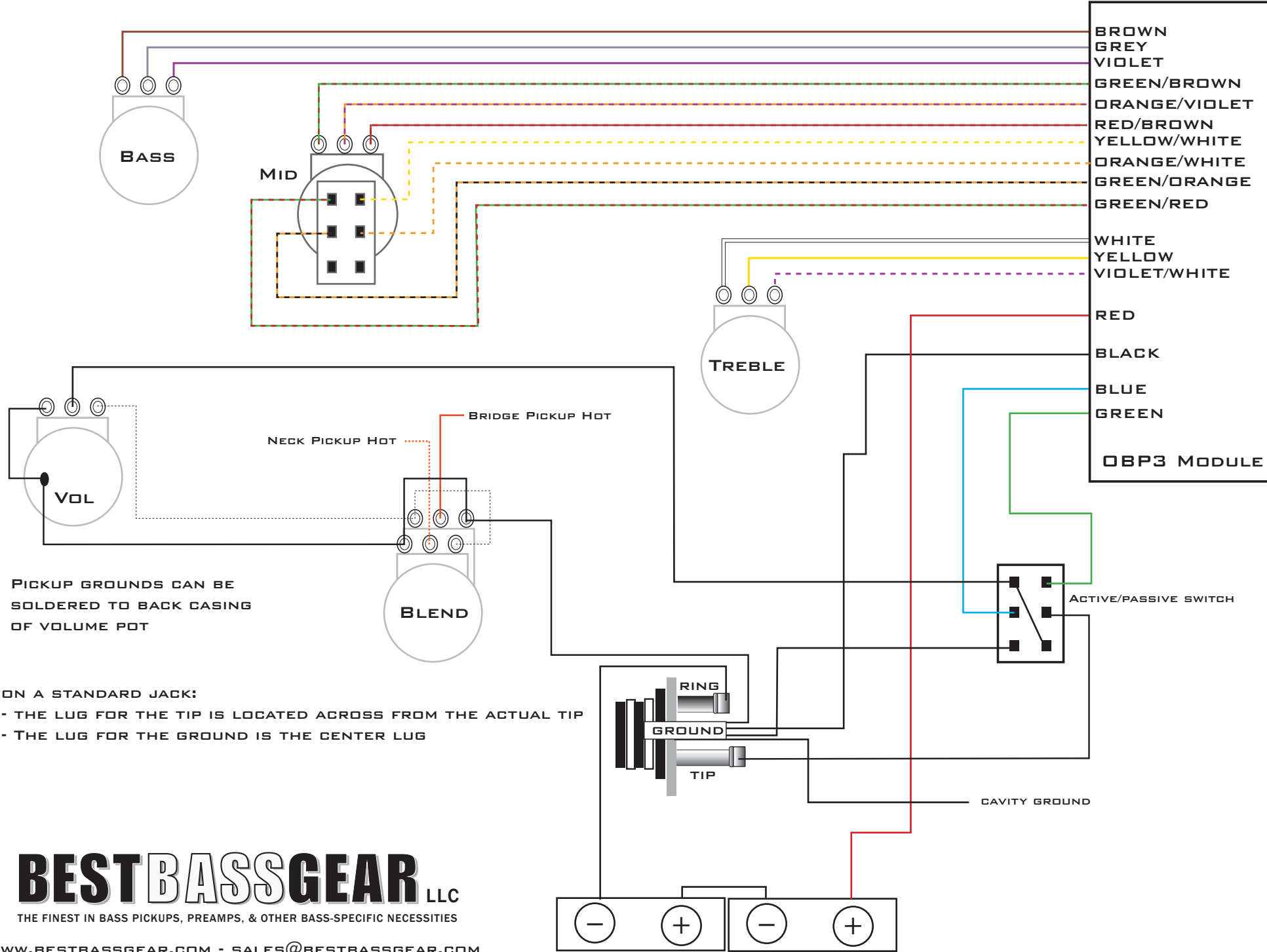


AGUILAR OBP3: VOLUME - BLEND - TREBLE - MID (PUSH-PULL FREQ SEL) - BASS - ACTIVE/PASSIVE SWITCH



PICKUP GROUNDS CAN BE SOLDERED TO BACK CASING OF VOLUME POT

- ON A STANDARD JACK:
- THE LUG FOR THE TIP IS LOCATED ACROSS FROM THE ACTUAL TIP
 - THE LUG FOR THE GROUND IS THE CENTER LUG

BESTBASSGEAR LLC
 THE FINEST IN BASS PICKUPS, PREAMPS, & OTHER BASS-SPECIFIC NECESSITIES

WWW.BESTBASSGEAR.COM - SALES@BESTBASSGEAR.COM

9 OR 18 VOLTS CAN BE USED WITH THE OBP2/OBP3 PREAMPS. FOR 9 VOLT USE, CONNECT THE NEGATIVE FROM THE BATTERY TERMINAL TO THE RING ON THE JACK.