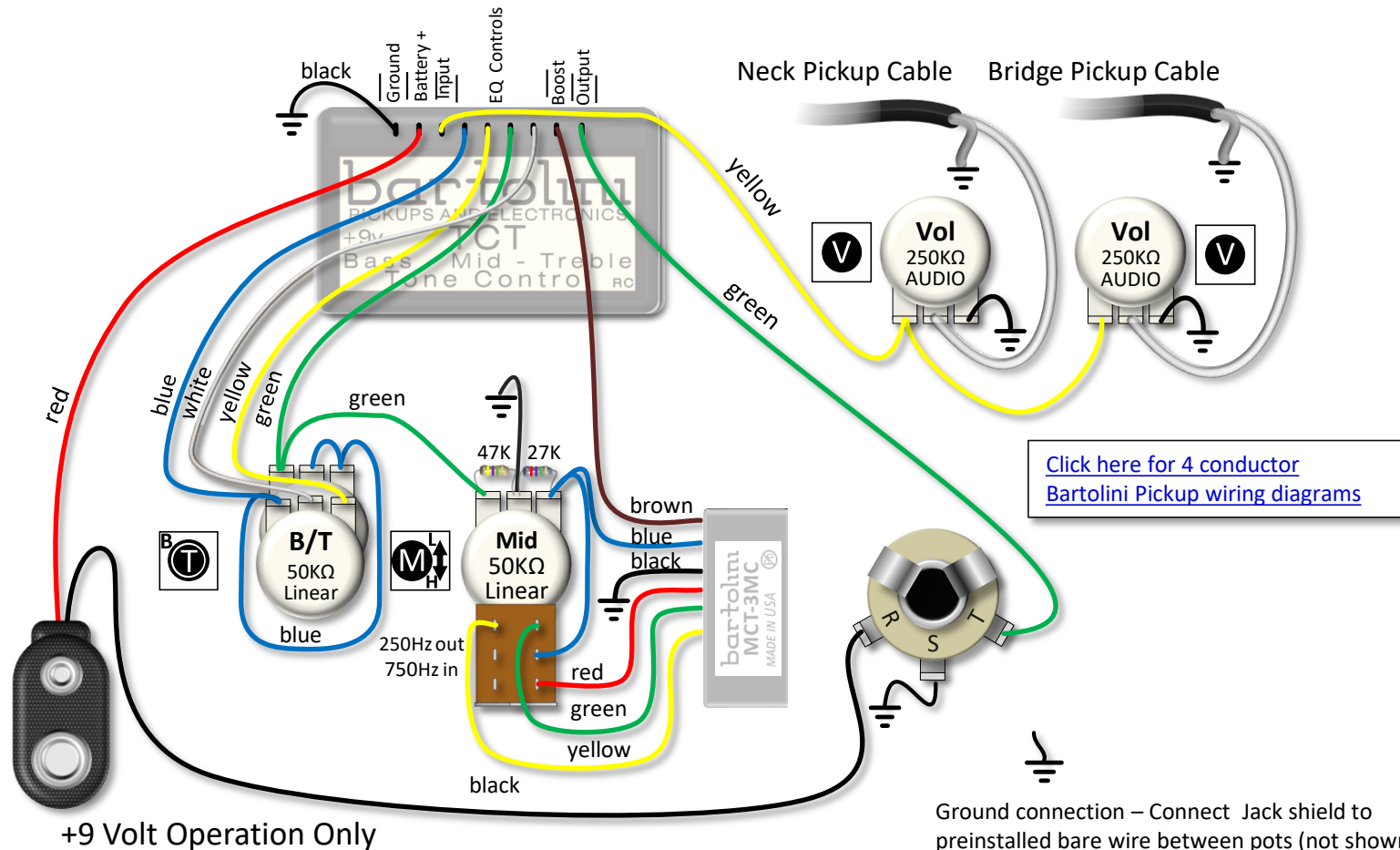


TCT Legacy 3-Band EQ Pre-Amp Special Order On-board Electronics for Professional Installation Only



Ground connection – Connect Jack shield to preinstalled bare wire between pots (not shown in this diagram). Connect to cavity shield if available. Also ensure bridge is connected to ground.

Ordering Details:

Model/SKU	Description	UPC
TCT-4.4	TCT 3 Band EQ, 4 Pots: (Neck Volume) (Bridge Volume) (Mid with 250/750Hz push-pull) (Treble/Bass Stack)	682384505106
TCT-4.4J	TCT 3 Band EQ, 4 Pots Jazz Layout: (Neck Volume with Pull-Bypass Switch) (Bridge Volume) (Mid with 250/750Hz push-pull) (Treble/Bass Stack)	682384506677