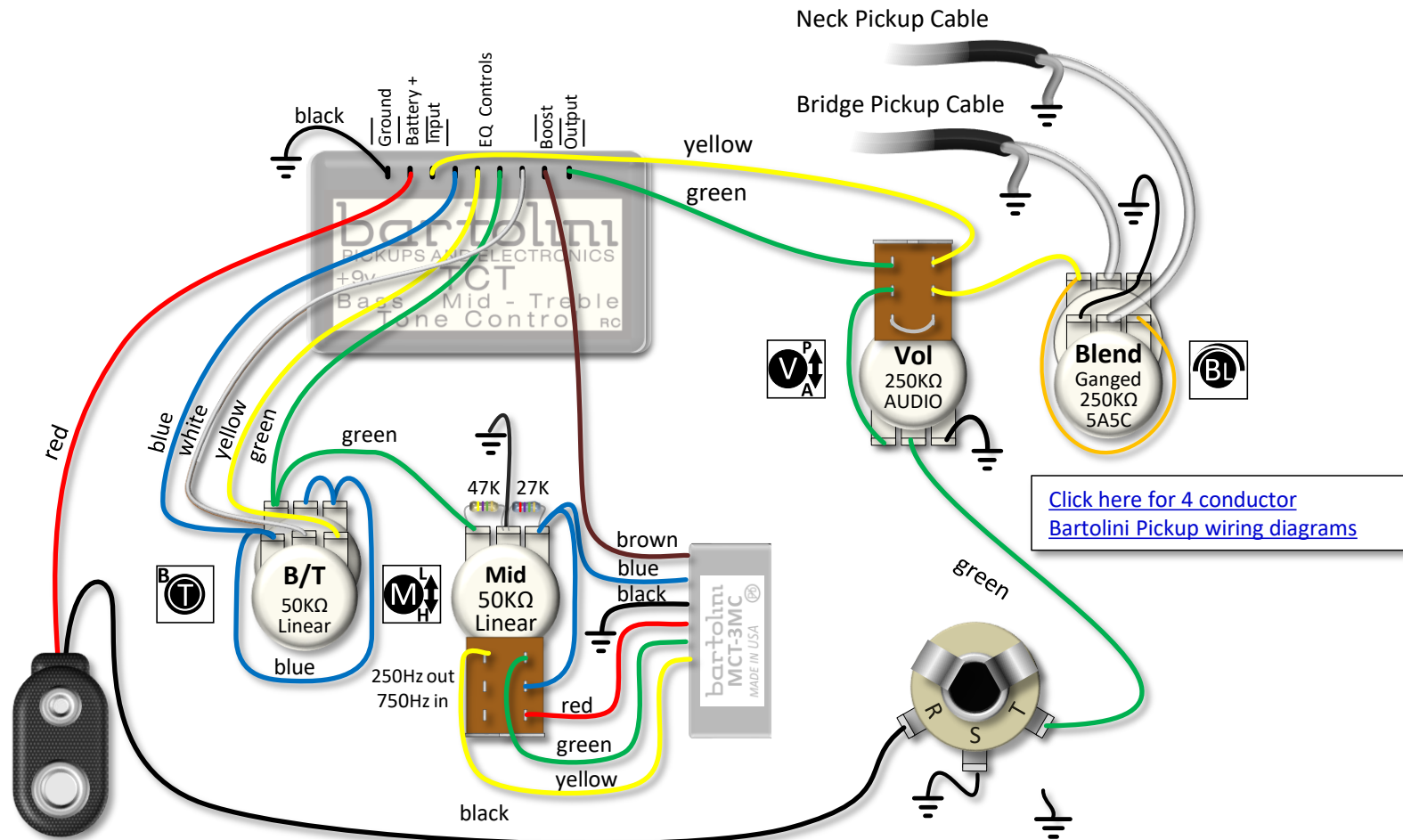


TCT Legacy 3-Band EQ Pre-Amp Special Order On-board Electronics for Professional Installation Only



[Click here for 4 conductor Bartolini Pickup wiring diagrams](#)

+9 Volt Operation Only

Ground connection – Connect Jack shield to preinstalled bare wire between pots (not shown in this diagram). Connect to cavity shield if available. Also ensure bridge is connected to ground.

Ordering Details:		
Model/SKU	Description	UPC
TCT-4.6AP	TCT 3 Band EQ, 4 Pots: (Volume with Pull-Bypass Switch) (Blend) (Mid with 250/750Hz push-pull) (Treble/Bass Stack)	682384505083
TCT-4.6APJ	TCT 3 Band EQ, 4 Pots Jazz Layout: (Volume with Pull-Bypass Switch) (Blend) (Mid with 250/750Hz push-pull) (Treble/Bass Stack)	682384505038