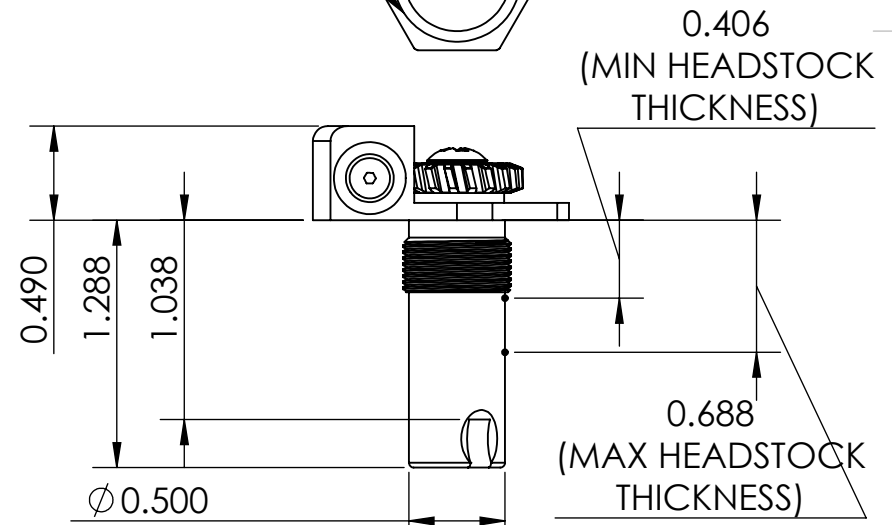
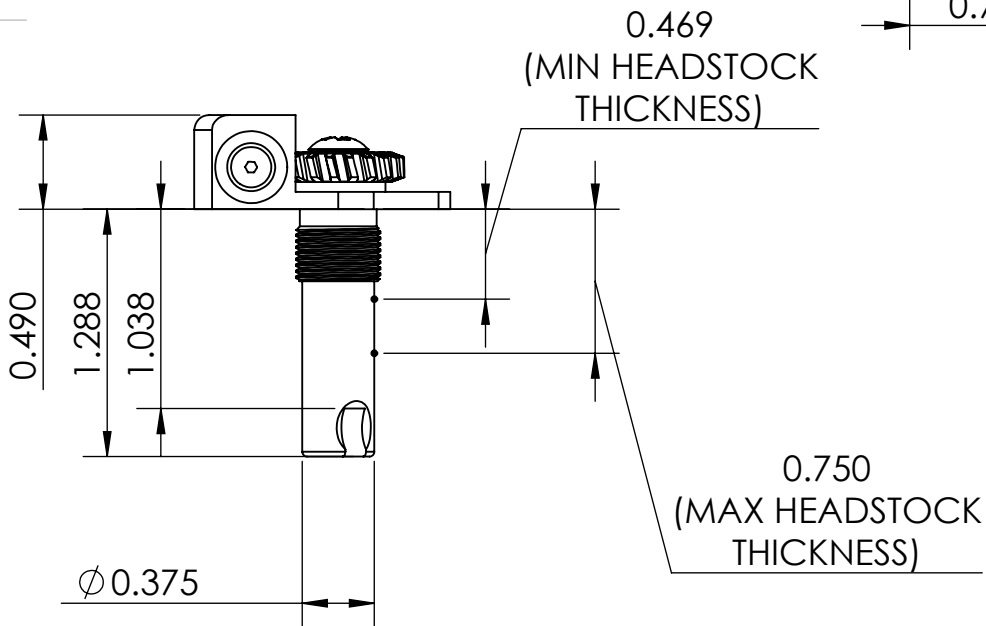
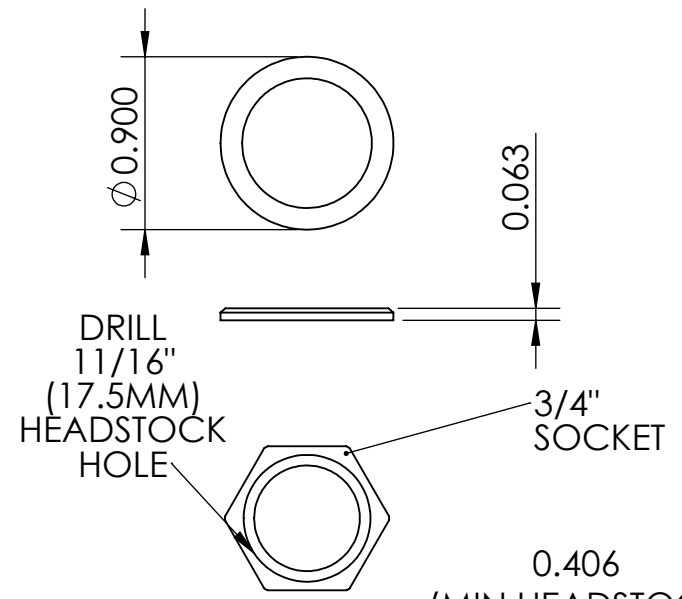
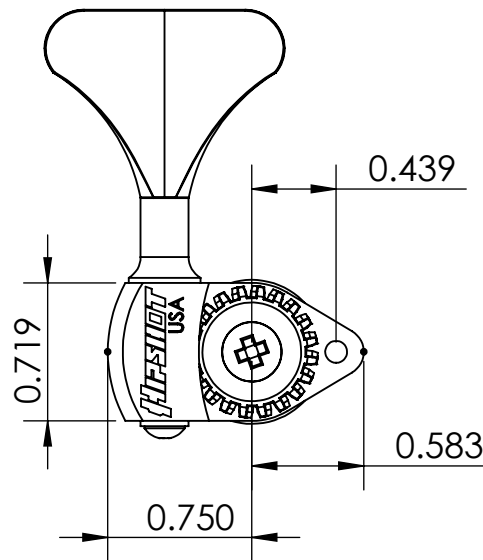
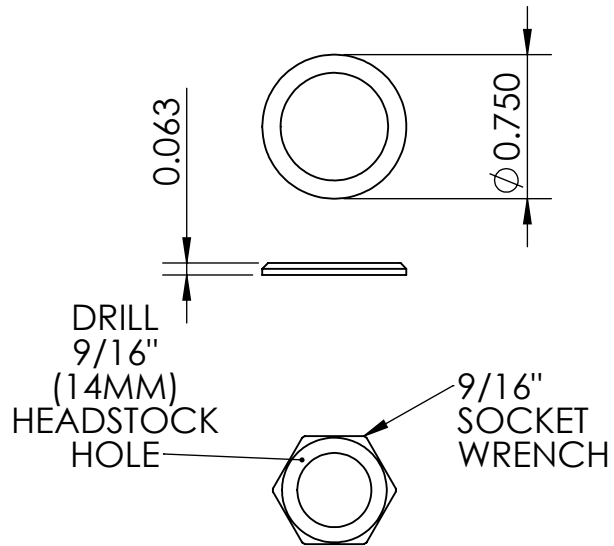


3/8" ULTRALITE

1/2" ULTRALITE



THIS DRAWING IS THE SOLE PROPERTY OF HIPSHOT PRODUCTS, INC. ALL RIGHTS ARE RESERVED. DIMENSIONS AND PRODUCT FEATURES ARE SUBJECT TO CHANGE WITHOUT NOTICE.

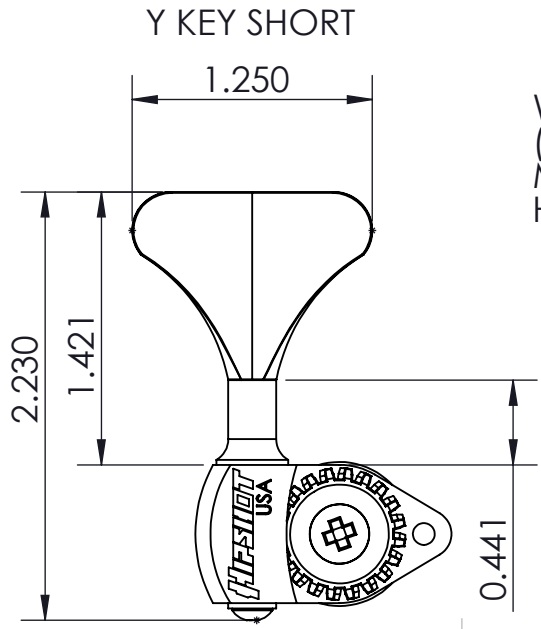
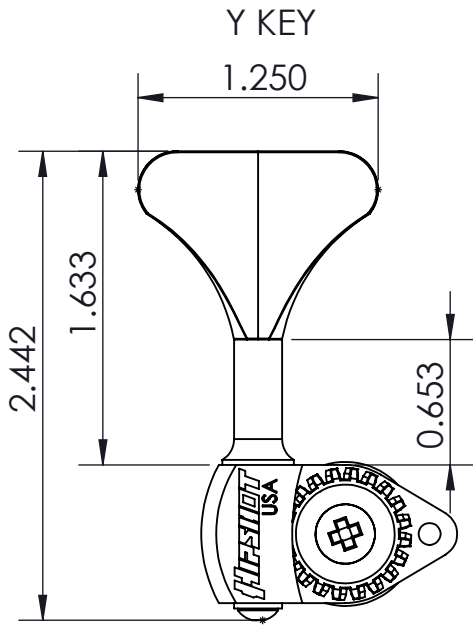
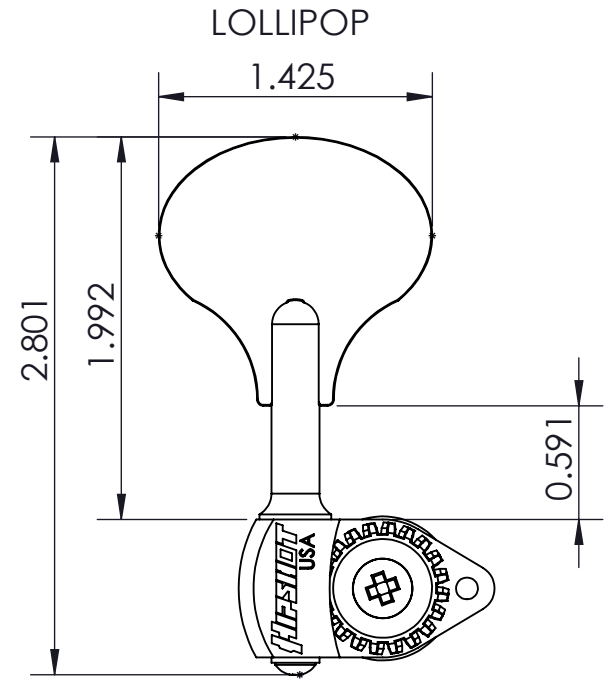
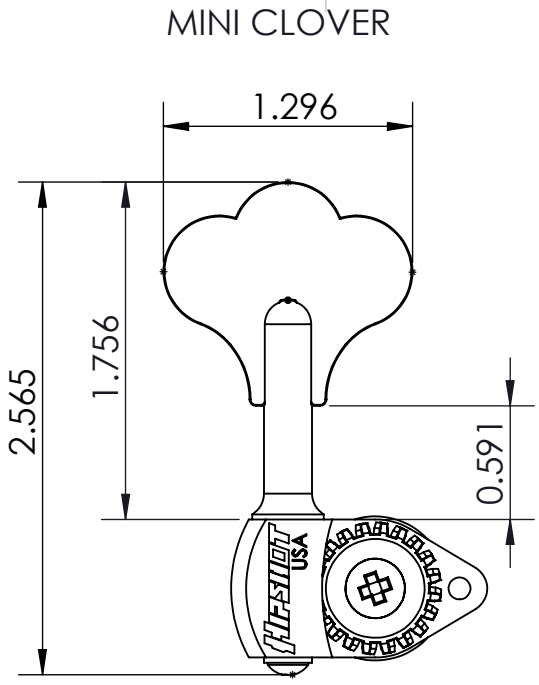
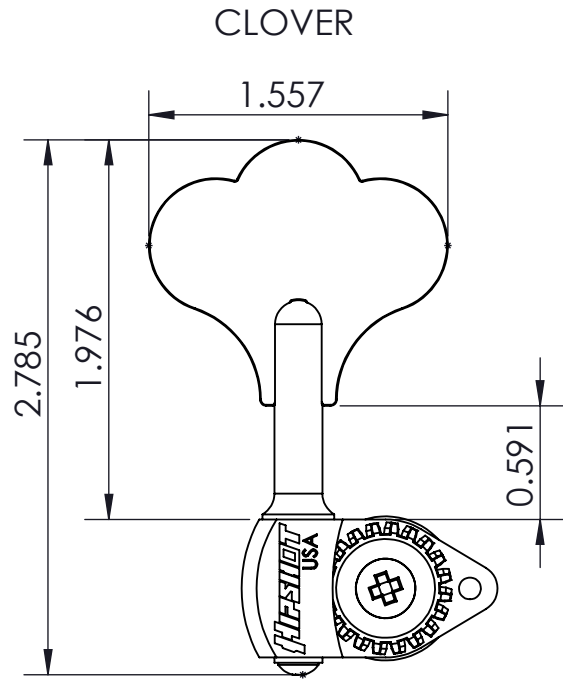
UNLESS OTHERWISE SPECIFIED: DIMENSIONS ARE IN INCHES TOLERANCE: ± .005

IMAGE NOT DRAWN TO SCALE



8248 STATE ROUTE 96
Interlaken, NY 14847 U.S.A.
TEL: 607-532-9404 FAX: 607-532-9530
E-MAIL: info@HipshotProducts.com

HB6 - ULTRALITE BASS TUNER
3/8" AND 1/2"



WEIGHTS
(INCLUDING
MOUNTING
HARDWARE):

3/8" CLOVER	1.77oz
3/8" MINI CLOVER	1.59oz
3/8" LOLLIPOP	1.69oz
3/8" Y KEY	1.49oz
3/8" Y KEY SHORT	1.50oz
1/2" CLOVER	1.95oz
1/2" MINI CLOVER	1.83oz
1/2" LOLLIPOP	1.93oz
1/2" Y KEY	1.74oz
1/2" Y KEY SHORT	1.73oz

THIS DRAWING IS THE SOLE PROPERTY OF HIPSHOT PRODUCTS, INC.
ALL RIGHTS ARE RESERVED.
DIMENSIONS AND PRODUCT FEATURES ARE SUBJECT TO CHANGE
WITHOUT NOTICE.

UNLESS OTHERWISE SPECIFIED:
DIMENSIONS ARE IN INCHES
TOLERANCE: ± .005

IMAGE NOT DRAWN
TO SCALE



8248 STATE ROUTE 96
Interlaken, NY 14847 U.S.A.
TEL: 607-532-9404 FAX: 607-532-9530
E-MAIL: info@HipshotProducts.com

HB6 - ULTRALITE BASS TUNER