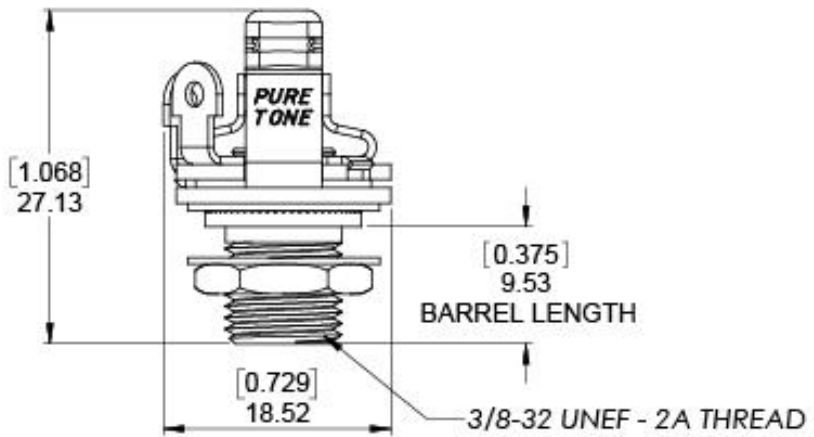
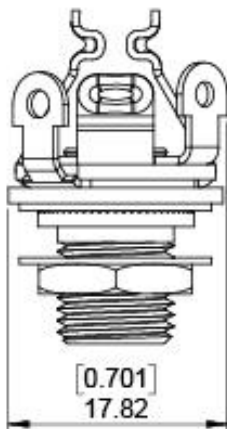
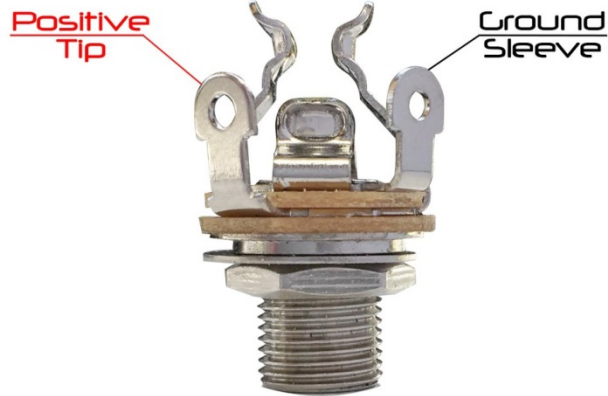




PTT1 MONO JACK WIRING



Standard Jack vs. Pure Tone Jack

1 contact point

Note that after normal use, this connection becomes unstable causing the infamous "crackle" noise and eventually failure



Standard Jack

4 contact points

2 positive tabs and 2 ground tabs firmly hold cable in place even after heavy use while also greatly improving both the audio signal and strength

