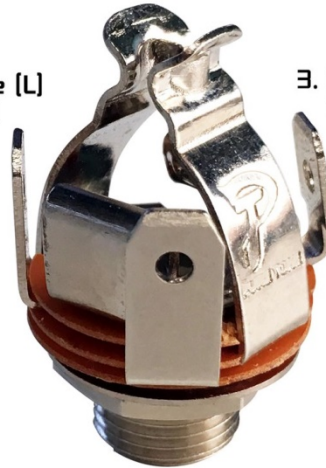


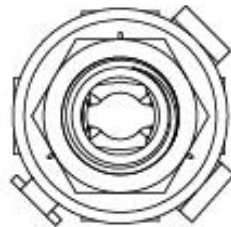
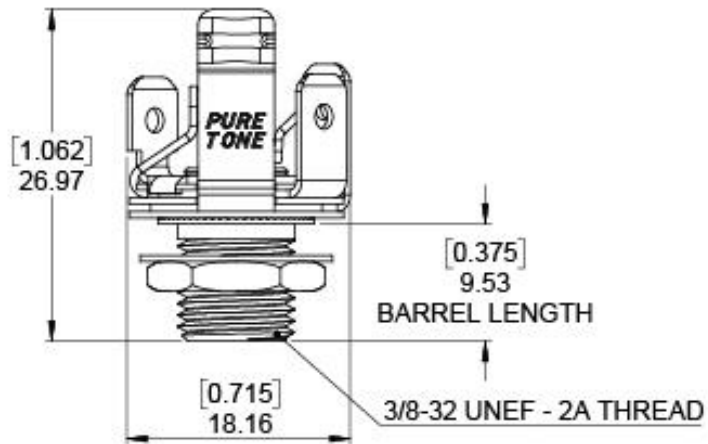
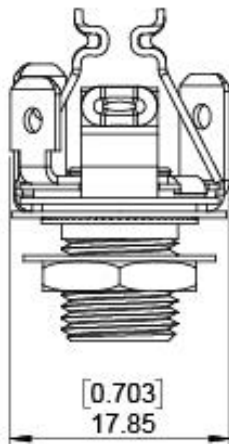
P PTT2 STEREO JACK WIRING
PURE TONE

1. Positive (L)
(Ring)

3. Negative/
Ground



2. Positive (R)
(Tip)



Standard Jack vs. Pure Tone Jack

1 contact point

Note that after normal use, this connection becomes unstable causing the infamous "crackle" noise and eventually failure



Standard Jack

4 contact points

2 positive tabs and 2 ground tabs firmly hold cable in place even after heavy use while also greatly improving both the audio signal and strength

