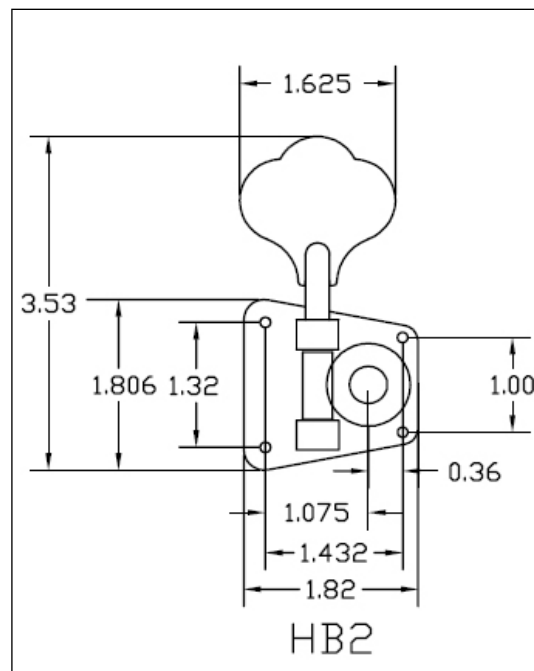
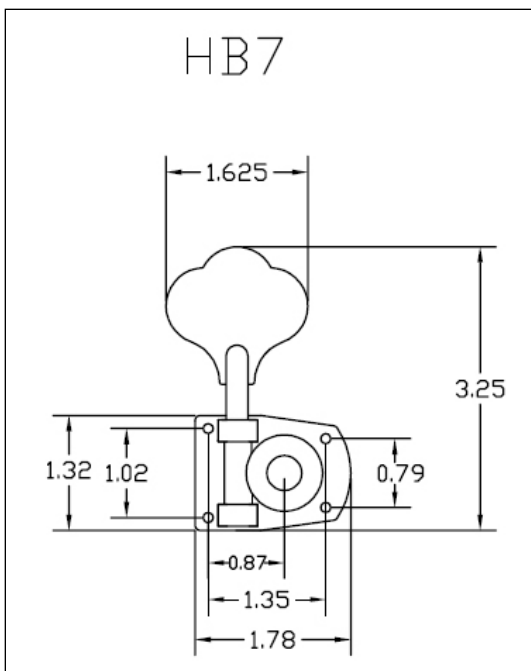
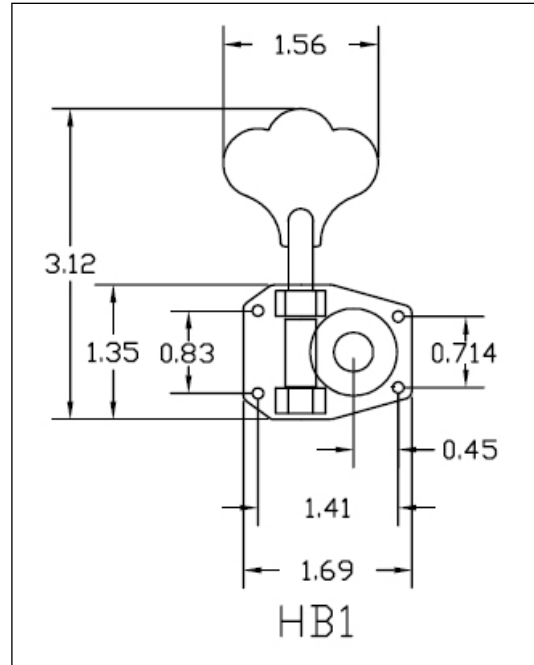
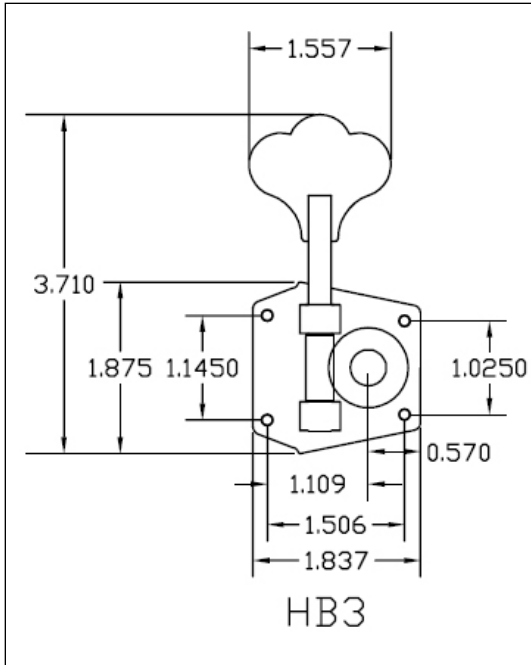


The following tuners; HB1, HB2, HB3, and HB7 cover several of the harder to identify vintage style tuners found on many of the world's basses. Whether you are trying to replace the regular tuners or need to identify which detuner to get for your bass, these diagrams will be of help. Typically, just checking the screw hole distance is adequate (center to center).

If you are looking for a detuner, and your current tuners match the HB1, then you would get the BT1 detuner. HB2 would correspond to the BT2 detuner, and so on.



# BESTBASSGEAR

THE FINEST IN BASS PICKUPS, PREAMPS AND OTHER BASS-SPECIFIC NECESSITIES

[www.bestbassgear.com](http://www.bestbassgear.com) | [sales@bestbassgear.com](mailto:sales@bestbassgear.com)